

B2C 2.5N

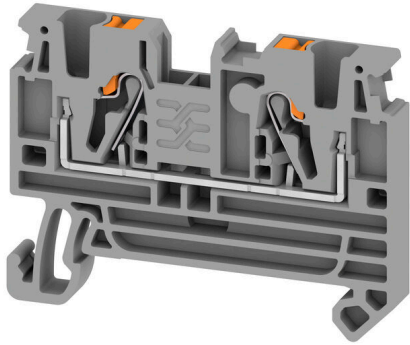
Weidmüller Interface GmbH & Co. KG

Klingenbergstraße 26

D-32758 Detmold

Germany

www.weidmueller.com



General ordering data

Version	Feed-through terminal, PUSH IN, 2.5, 24, grey
Order No.	3039680000
Type	B2C 2.5N
GTIN (EAN)	4099987009102
Qty.	100 items

B2C 2.5N

Weidmüller Interface GmbH & Co. KG

Klingenbergstraße 26

D-32758 Detmold

Germany

www.weidmueller.com

Technical data

Approvals

Approvals

UL File Number Search [UL Website](#)

Certificate No. (UR) E60693

Dimensions and weights

Depth	36.5 mm	Depth (inches)	1.437 inch
Depth including DIN rail	37 mm	Height	48.5 mm
Height (inches)	1.9094 inch	Width	5.1 mm
Width (inches)	0.2008 inch	Net weight	5.48 g

Temperatures

Storage temperature	-25 °C...55 °C	Ambient temperature	-5 °C...40 °C
Continuous operating temp., min.	-50 °C	Continuous operating temp., max.	120 °C

Environmental Product Compliance

RoHS Compliance Status	Compliant without exemption
REACH SVHC	No SVHC above 0.1 wt%

Material data

Basic material	PA 66	Colour	grey
Colour of operational elements	orange	UL 94 flammability rating	V-0

System specifications

End cover plate required	Yes	Number of potentials	1
Number of levels	1	Number of clamping points per level	2
Number of potentials per tier	1	Levels cross-connected internally	No
PE connection	No	Mounting rail	TS 35
N-function	No	PE function	No
PEN function	No		

Additional technical data

With snap-in pegs	No	Open sides	right
Snap-on	No	Type of fixing	Snap-on
Explosion-tested version	No	Type of mounting	TS 35

Conductors for clamping (additional connection)

Connection type, additional connection PUSH IN

Conductors for clamping (rated connection)

Gauge to IEC 60947-1	A3	Connection direction	top
Stripping length	10 mm	Type of connection	PUSH IN

B2C 2.5N

Weidmüller Interface GmbH & Co. KG

Klingenbergstraße 26
D-32758 Detmold
Germany

www.weidmueller.com

Technical data

Number of connections	2	Blade size	0.6 x 3.5 mm
Wire connection cross-section, finely stranded with wire-end ferrules DIN 46228/4, max.	0.5 mm ²	Wire connection cross-section, finely stranded with wire-end ferrules DIN 46228/4, min.	2.5 mm ²
Wire connection cross-section, finely stranded with wire-end ferrules DIN 46228/1, max.	2.5 mm ²	Wire connection cross-section, finely stranded with wire-end ferrules DIN 46228/1, min.	0.5 mm ²
Wire connection cross section, finely stranded, max.	2.5 mm ²	Wire connection cross section, finely stranded, min.	0.5 mm ²
Connection cross-section, stranded, max.	2.5 mm ²	Connection cross-section, stranded, min.	0.5 mm ²
Twin wire-end ferrules, max.	0.75 mm ²	Twin wire-end ferrules, min.	0.5 mm ²
Wire connection cross-section, solid core, max.	2.5 mm ²	Wire connection cross-section, solid core, min.	0.5 mm ²

General

Standards	IEC 60947-7-1	Mounting rail	TS 35
-----------	---------------	---------------	-------

Rating data

Rated cross-section	2.5 mm ²	Nominal current	24 A
Current at maximum wires	24 A	Standards	IEC 60947-7-1
Volume resistance according to IEC 60947-7-x	1.33 mΩ	Power loss in accordance with IEC 60947-7-x	0.77 mW
Surge voltage category	III	Pollution severity	3

UL rating data

Voltage size B (UR)	600 V	Wire cross section min. (UR)	20 AWG
Current size B (UR)	20 A	Wire cross section max. (UR)	12 AWG
Current size D (UR)	5 A	Current size C (UR)	20 A
Voltage size C (UR)	600 V	Certificate No. (UR)	E60693
Voltage size D (UR)	600 V		

Classifications

ETIM 8.0	EC000897	ETIM 9.0	EC000897
ETIM 10.0	EC000897	ECLASS 14.0	27-25-01-01
ECLASS 15.0	27-25-01-01		

B2C 2.5N

Weidmüller Interface GmbH & Co. KG

Klingenbergstraße 26

D-32758 Detmold

Germany

Accessories

www.weidmueller.com

Accessories

General ordering data

Type	BEB 35	Version
Order No.	307610000	B-series, End bracket
GTIN (EAN)	4099987079969	
Qty.	50 ST	
Type	BEP 2C 2.5N	Version
Order No.	3040510000	B-series, End plate
GTIN (EAN)	4099987010184	
Qty.	50 ST	
Type	BEP 2C 2.5N BL	Version
Order No.	3040520000	B-series, End plate
GTIN (EAN)	4099987010191	
Qty.	50 ST	
Type	BCC 2.5N/10	Version
Order No.	3040630000	Cross-connector (terminal), Plugged, orange, 24 A, Number of poles: 10, Pitch in mm (P): 5.10, Insulated: Yes, Width: 49.4 mm
GTIN (EAN)	4099987010276	
Qty.	20 ST	
Type	BCC 2.5N/2	Version
Order No.	3040570000	Cross-connector (terminal), Plugged, orange, 24 A, Number of poles: 2, Pitch in mm (P): 5.10, Insulated: Yes, Width: 8.6 mm
GTIN (EAN)	4099987010245	
Qty.	50 ST	
Type	BCC 2.5N/3	Version
Order No.	3040590000	Cross-connector (terminal), Plugged, orange, 24 A, Number of poles: 3, Pitch in mm (P): 5.10, Insulated: Yes, Width: 13.7 mm
GTIN (EAN)	4099987010252	
Qty.	50 ST	
Type	BCC 2.5N/4	Version
Order No.	3040610000	Cross-connector (terminal), Plugged, orange, 24 A, Number of poles: 4, Pitch in mm (P): 5.10, Insulated: Yes, Width: 18.8 mm
GTIN (EAN)	4099987010269	
Qty.	50 ST	
Type	BMH 8/40	Version
Order No.	3076210000	Terminal marker, Height: 44 mm, Width: 8.4 mm, 8.40, Width: 8.4 mm
GTIN (EAN)	4099987079976	
Qty.	50 ST	

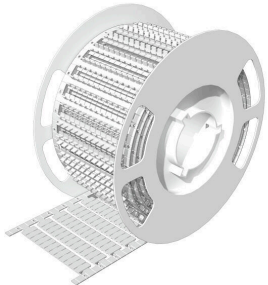
B2C 2.5N

Weidmüller Interface GmbH & Co. KG
 Klingenbergstraße 26
 D-32758 Detmold
 Germany

www.weidmueller.com

Accessories

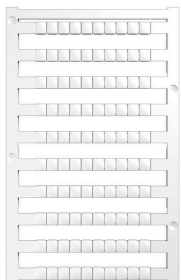
BLM



General ordering data

Type	BLM 5/5 TB	Version	
Order No.	7760380689	BLM, Terminal marker, 5 x 5 mm, Pitch in mm (P): 5.00 Weidmueller,	
GTIN (EAN)	6944169819117	white	
Qty.	7200 ST		

Plus



The Dekafix (DEK) marker is the universal marker for all conductor and plug-in connectors as well as for electronic sub-assemblies. The system is ideal for short number sequences and covers a wide range of ready-printed markers.

Strips for fast installation in only one work step. The printing is easy to read, rich in contrast and available in various widths.

- Large range of ready-to-use markers
 - Strips for fast installation
 - Terminal markers, suitable for all Weidmüller cable connectors
 - Available as blank MultiCard or with standard printing
- For custom printing: Please send us a file of our labeling software M-Print PRO or M-Print PRO Online (without installation) for your labeling specifications.

General ordering data

Type	DEK 5/5 PLUS MC NE WS	Version	
Order No.	1854490000	Dekafix, Terminal marker, 5 x 5 mm, Pitch in mm (P): 5.00	
GTIN (EAN)	4032248393596	Weidmueller, white	
Qty.	1000 ST		